

Ausimix[®] Compact Thermostatic Mixing Valve

High performance thermostatic mixing valve with TMV2 and TMV3 approval for versatile protection against scalding. Option of telescopic connectors for easy retrofitting. Also available with SharkBite[®] push-fit connections.

Product code	Size	Description
HEAT110750	15mm	Ausimix 2-in-1
HEAT110755	22mm	Ausimix 2-in-1
HEAT110751	15mm	Ausimix telescopic 2-in-1
SBHEAT110750	15mm	Push-fit Ausimix 2-in-1
SBHEAT110755	22mm	Push-fit Ausimix 2-in-1
HEAT110780	15mm	Ausimix 4-in-1
HEAT110785	22mm	Ausimix 4-in-1
SBHEAT110780	15mm	Push-fit Ausimix 4-in-1
SBHEAT110785	22mm	Push-fit Ausimix 4-in-1

SBHEAT110755



HEAT110755



SBHEAT110785



HEAT110785



HEAT110751



Ausimix[®] Compact Thermostatic Mixing Valve

Features and benefits

- Rapid shutdown on either hot or cold supply failure
- Provides stable mixed water temperature
- Unique temperature adjustment tool incorporated into the cap
- HTM04-01-D08 compliant
- Flat faced union connections for ease of maintenance
- Option with SharkBite[®] push-fit connectors for even quicker heat-free installation
- Option with telescopic union connectors, adjustable by 10mm on either inlet for greater flexibility and adjustment: ideal for retro-fit applications

Specifications

Factory temperature setting	38°C
Temperature setting range	38-46°C
Temperature, hot supply	52-65°C (Max 85°C)
Temperature, cold supply	5-25°C
Minimum hot to mix differential temperature	10°C
Temperature stability	+/- 2°C
Working pressure, static	16.0 bar max
Working pressure, dynamic	0.2 to 5.0 bar
Maximum pressure loss ratio	10:1
Flow rate, minimum	4 L/min

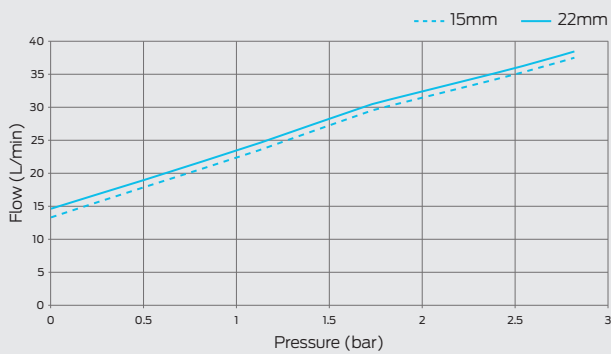
Materials

Body & fittings	DZR Brass, nickel plated
Seals	Viton
Spring	Stainless steel
Strainers	Stainless steel
Washers	Tesnit

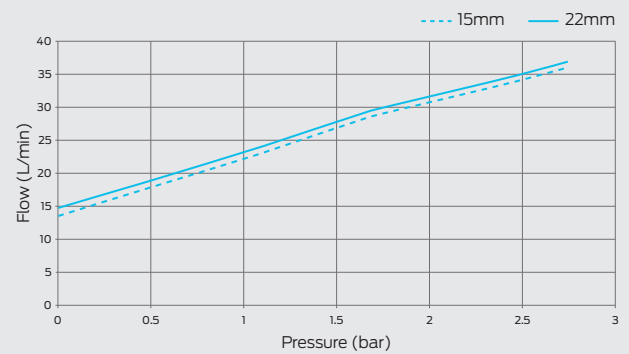
Standards and approvals

Complies with BS EN 1111, BS 7942, NHS MES D08
WRAS Approved
TMV2 & TMV3 Approved

Flow rates (2-in-1)

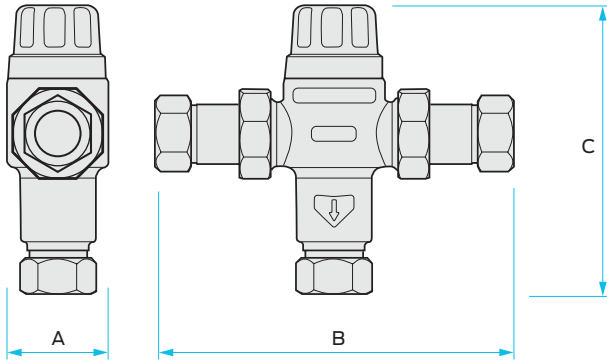


Flow rates (4-in-1)

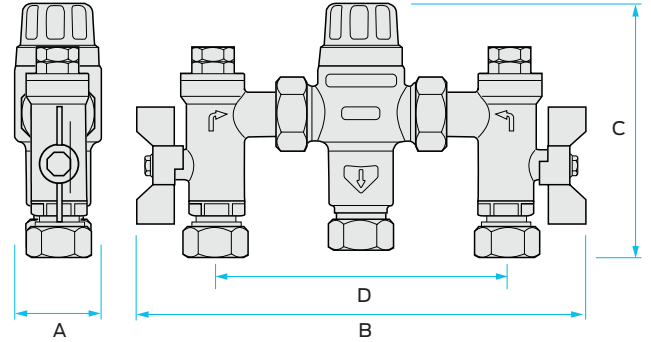


Ausimix[®] Compact Thermostatic Mixing Valve

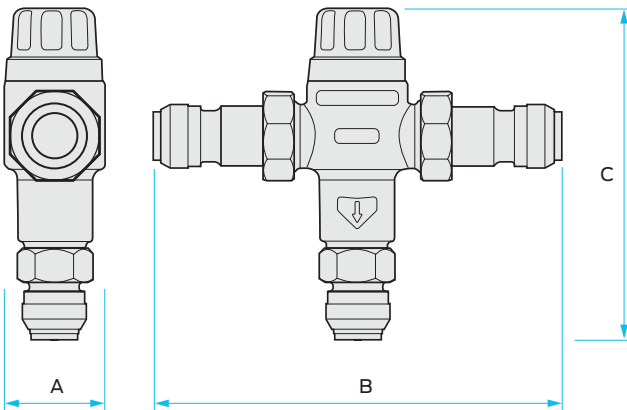
Dimensions – All measurements in mm unless otherwise stated



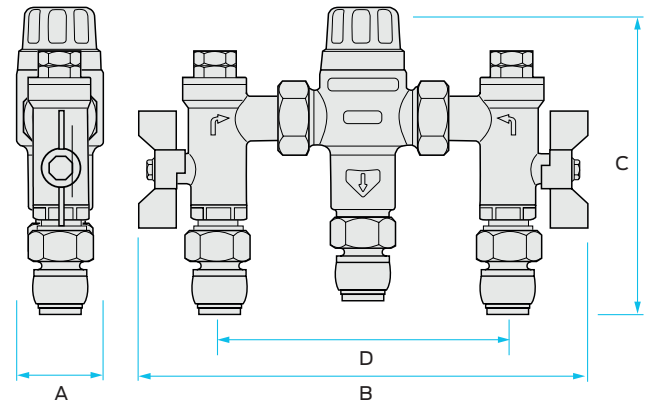
Valve type	Product code	A	B	C
Ausimix 15mm 2-in-1 TMV2/3	HEAT110750	39	130	103
Ausimix 22mm 2-in-1 TMV2/3	HEAT110755	41.5	148	102



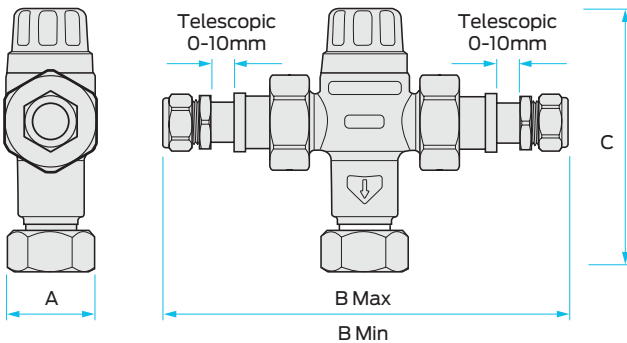
Valve type	Product code	A	B	C	D
Ausimix 15mm 4-in-1 TMV2/3	HEAT110780	39	192	107	120
Ausimix 22mm 4-in-1 TMV2/3	HEAT110785	41.5	210	106	140



Valve type	Product code	A	B	C
Ausimix 15mm push-fit 2-in-1 TMV2/3	SBHEAT110750	39	149	120.5
Ausimix 22mm push-fit 2-in-1 TMV2/3	SBHEAT110755	41.5	170	122



Valve type	Product code	A	B	C	D
Ausimix 15mm push-fit 4-in-1 TMV2/3	SBHEAT110780	39	192	122	120
Ausimix 22mm push-fit 4-in-1 TMV2/3	SBHEAT110785	41.5	210	137	140



Valve type	Product code	A	B	C
Ausimix 15mm 2-in-1 TMV2/3 with telescopic connectors	HEAT110751	41.5	155.5 min - 177 max	102